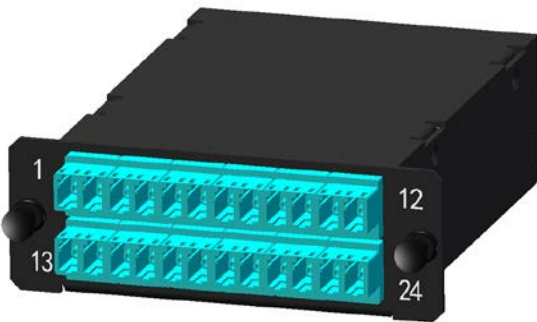


MPO-24LC

Module Box Specification

1、Appearance



Type.	Adaptor Color
SM-PC	Blue
SM-APC	Green
MM	Beige
OM3	Aqua
OM4	Violet

2、Feature

2.1 Insertion loss

Specification value	
IL	$\leq 0.35\text{dB}$
Repeatability	200 times
Temperature	$-35^{\circ}\text{C}\sim 80^{\circ}\text{C}$

2.2 Part material

Part	Main Material	Quantity
Module box	Al-Black	1
DLC ADAPTOR	PC	12
MPO ADATPOR	PBT	2
MPO-12LC patch cord	/	2

3、 Requirement

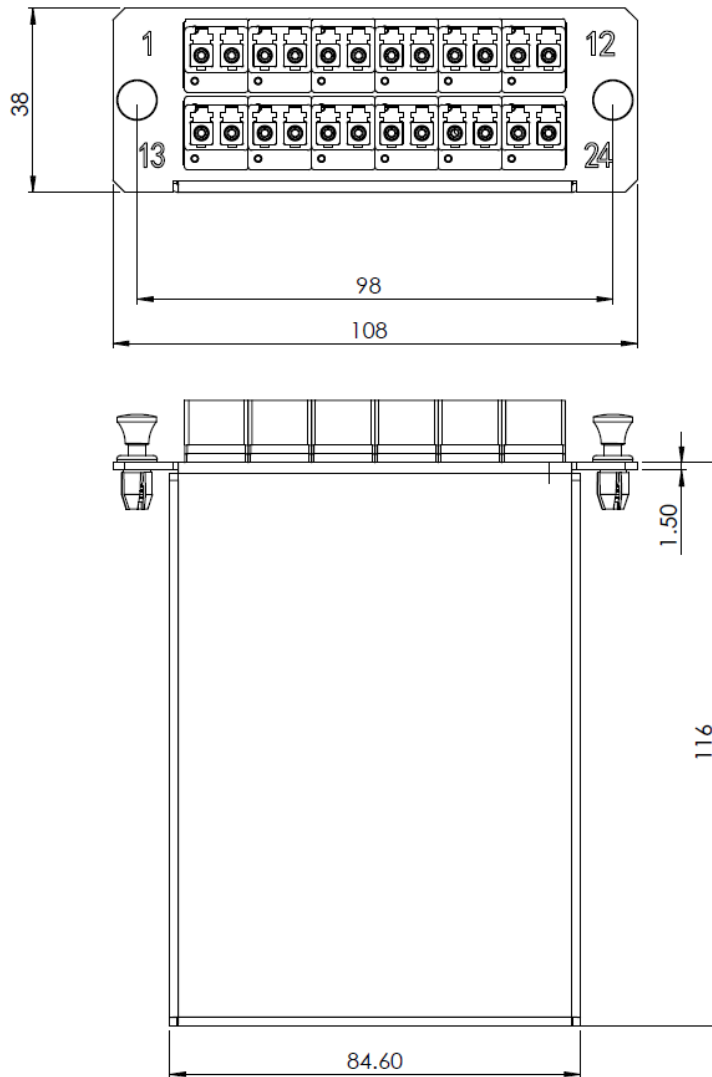
3.1 Meet IEC_61754-20

3.2 Meet GR-632 & IEC 61300-3-4 core

3.3 Flame Rating: UL94-V0

3.4 ROHS compliance: RoHS2.0 & REACH

4、 Size



5、 Packing

Packing: 50pcs/ Carton

Carton Size: 45cm*36cm*23cm