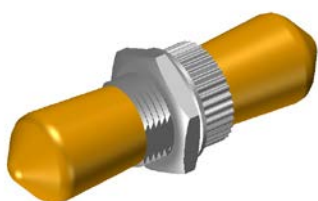


## ST ADAPTOR Specification

### 1、Appearance



Type.	CAP Color
ST	Yellow

### 2、Feature

#### 2.1 Insertion loss

Specification value	
IL	$\leq 0.2\text{dB}$
Repeatability	200 times
Temperature	$-40^{\circ}\text{C}\sim 85^{\circ}\text{C}$

#### 2.2 Part material

Part	Material	Quantity
ST-ADA Dust Cap	PVC	2
Housing(assembly)	Zinc	1
SLEEVE	ZrO <sub>2</sub> -White	1

### 3、 Requirement

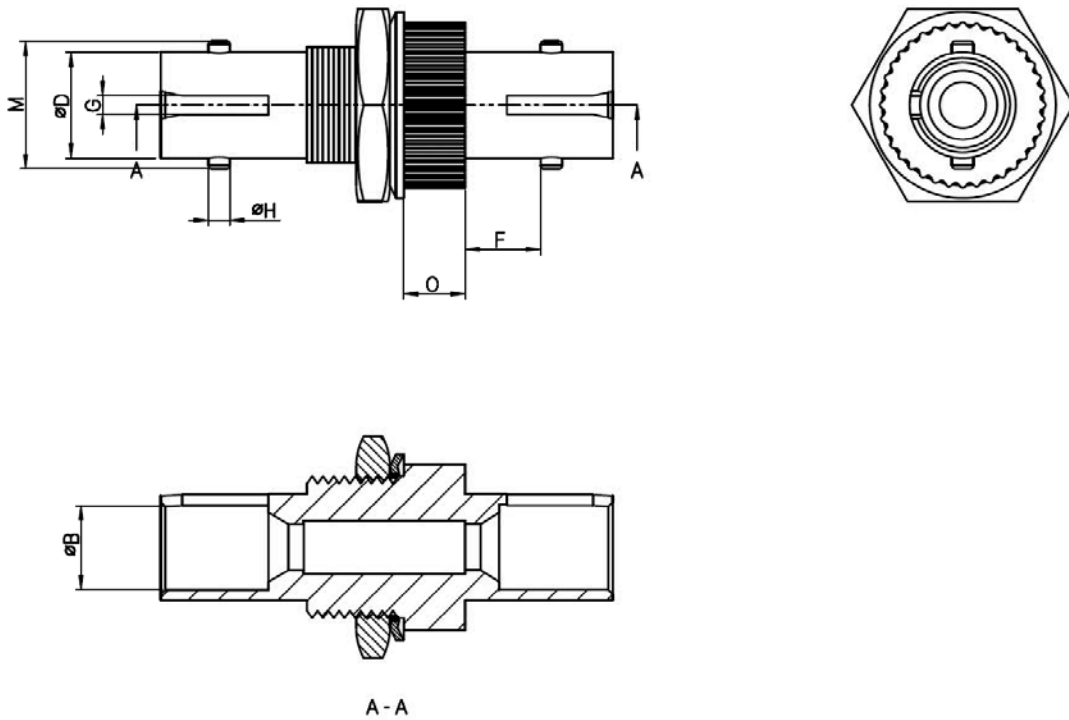
3.1 Meet IEC\_60874-10-3

3.2 Meet GR-326 core

3.3 Flame Rating: UL94-V0

3.4 ROHS compliance: RoHS2.0 & REACH

### 4、 Size



Ref.	Dimensional tolerance	
	Min	Max
M	-	8.53
D	6.86	7.04
G	0.58	0.84
H	1.07	1.57
O	-	4
F	4.8	5.56
B	5.49	5.82

### 5、 Packing

Inner packing: 50pcs/Package

Outer packing: 3000pcs/Carton

Carton Size: 45cm\*31cm\*23cm