

FC ADAPTOR Specification

1、Appearance



Type.	CAP Color
Circular	Red
	Green

2、Feature

2.1 Insertion loss

Specification value	
IL	$\leq 0.2\text{dB}$
Repeatability	200 times
Temperature	$-40^{\circ}\text{C}\sim 85^{\circ}\text{C}$

2.2 Part material

Part	Material	Quantity
FC-ADA Dust Cap	PE	2
Housing(assembly)	Cu	1
SLEEVE	ZrO ₂ -White	1

3、 Requirement

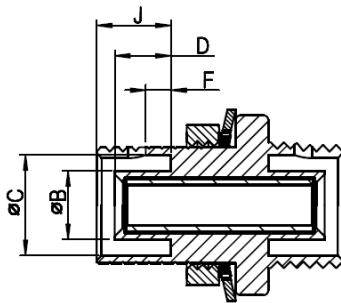
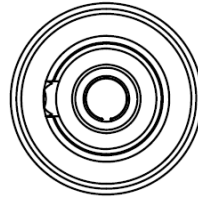
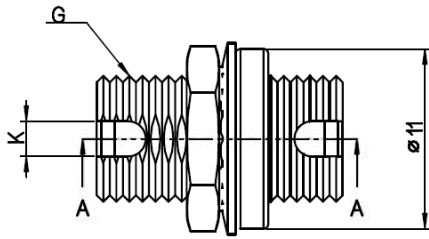
3.1 Meet IEC_61754-13

3.2 Meet GR-326 core

3.3 Flame Rating: UL94-V0

3.4 ROHS compliance: RoHS2.0 & REACH

4、 Size



A-A

Ref.	Dimensional tolerance	
	Min	Max
B	3.99	4.38
C	6.01	6.20
D	2.15	2.9
J	3.65	3.9
F	0.75	1.74
K	2.15	2.6
G	M8x0.75-6g	

5、 Packing

Inner packing: 50pcs/Tray

Outer packing: 3000pcs/Carton

Carton Size: 47cm*30cm*31cm