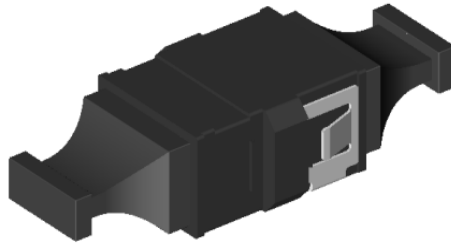
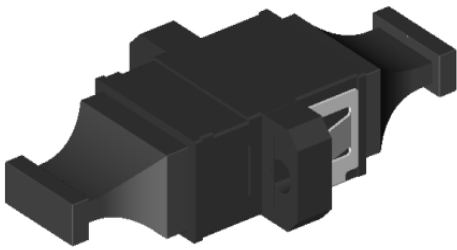


MPO Adapter



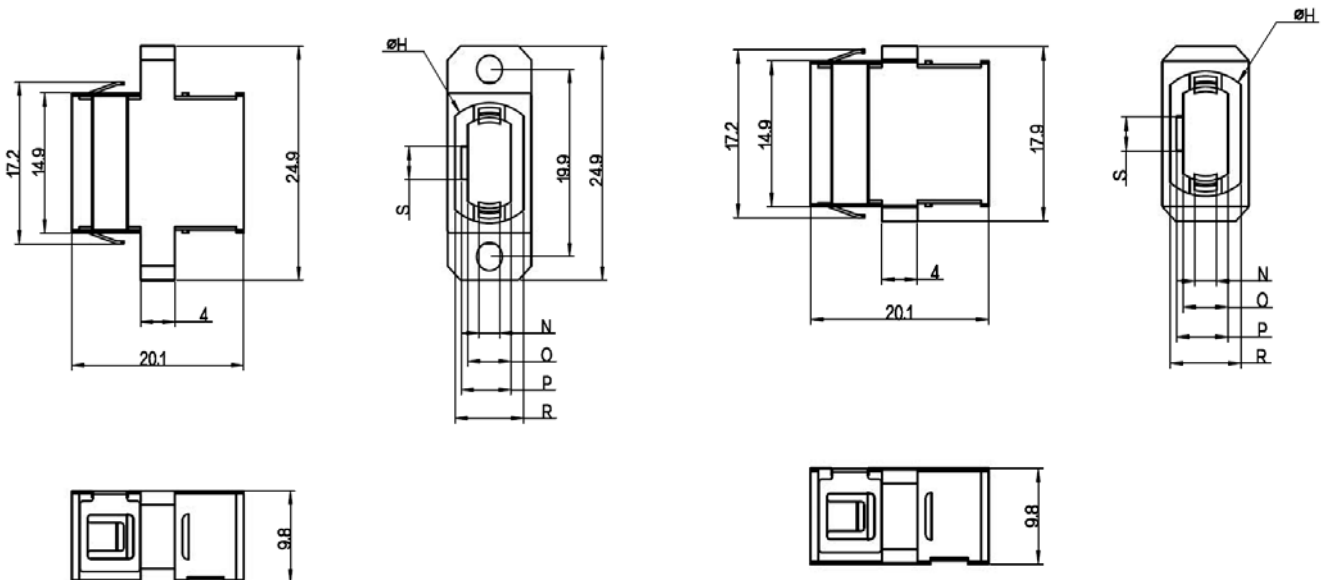
Application:

- 1. Telecommunication Network
- 3. Data Center Cabling
- 4. Testing
- 5. Optic Networks

Features:

- 1. High size precision
- 2. Compact design
- 3. IEC-61754-7/GR326/UL94-V0/ROHS/REACH compliance

Drawing:



Ref.	Dimensional Tolerance	
	Min	Max
S	3.4	3.6
N	2.4	2.6
O	5	5.1
P	5.7	5.9
R	7.8	8.20
H	12.6	13.0

Parameter:

Item NO.	Description	Unit	Standard
1	Insertion Loss(dB)	dB	≤0.2dB
2	Repetitiveness(dB)	dB	≤0.1dB
3	Interchangeability (dB)	dB	≤0.2dB
4	Plug times	Times	200 times
5	Tensile strength	G	200-600G
6	Operating temperature	Celsius	-40~+85 Celsius
7	Storage temperature	Celsius	-40~+110 Celsius
8	Humidity	Celsius	95%RH (Non-Packaging)

Packing:

Inner packing: 50 pcs/Package
 Outer packing: 5000 pcs/Carton
 Carton size: 47*30*31mm

Noted:Packing can be customized for you.